



Process Advanced Filtration Division
 2340 Eastman Avenue
 Oxnard, CA 93030
 Phone (805) 604-3400
 Fax (805) 604-3401

EP8040-BS14-H8 UF Membrane

Description

PVDF Spiral membrane
 FRP outer wrap
 One end seal - ATDs both ends

Dimensions

Diameter **(A)** 7.90" (201 mm)
 Overall Body Length **(B)** 40.0" (1016 mm)
 Permeate Tube ID 1.138" (28.9 mm)
 Membrane Area 332 ft² (27.0m²)
 Weight 42 lb (19.1kg)

Recommended Operating Parameters

Feed 65 - 80 gpm (246-303 lpm)
 Inlet Pressure 40-65 psig (2.7-4.41bar)
 Outlet Pressure 15-40 psig (1.0-2.7 bar)
 Delta Pressure 25 -35 psig (1.7-2.4 bar)
 Max Temperature 120°F (49°C)
 Max pH Range 2-11 operating
 2-12 cleaning

Permeate Flow on Fresh Lab Paint Baths

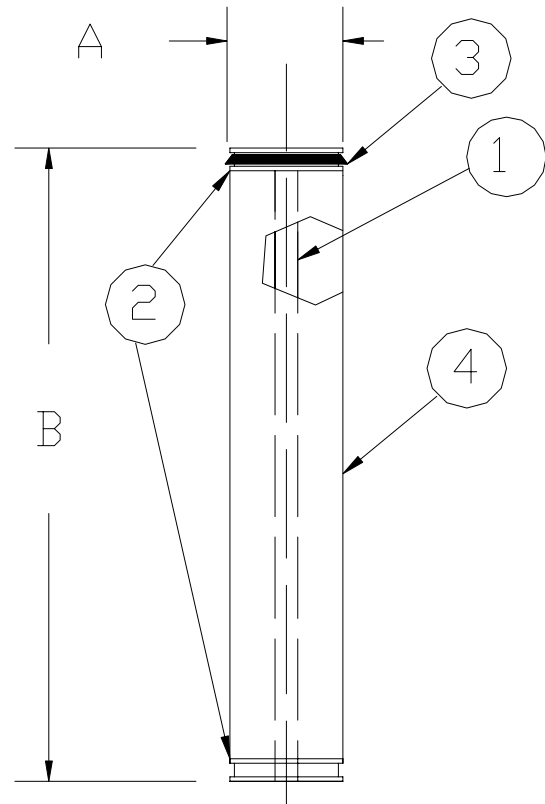
2.8 to 4.5 gpm (10.6 – 17.0 lpm)

Housing

Osmonics 815T Housing

Rev 5/6/09

Engineered for Electrocoat Applications



| Item | Description |
|------|------------------------|
| 1 | Permeate Tube |
| 2 | ATD/Seal Carriers |
| 3 | Brine Seal (P/N BS-80) |
| 4 | Membrane Body |

