



Process Advanced Filtration Division
2340 Eastman Avenue
Oxnard, CA 93030
Phone (805) 604-3400
Fax (805) 604-3401

EP8040-BS05-H8 UF Membrane

Description

PVDF Spiral membrane
FRP outer wrap
One end seal - ATDs both ends
Reinforced membrane construction

Dimensions

Diameter (**A**) 7.90" (201 mm)
Overall Body Length (**B**) 40.0" (1016 mm)
Permeate Tube ID 1.125" (28.6 mm)
Membrane Area 332 ft² (27.0m²)
Weight 42 lb (19.1kg)

Recommended Operating Parameters

Feed 65 - 80 gpm (246-303 lpm)
Inlet Pressure 40-65 psig (2.7-4.41bar)
Outlet Pressure 15-40 psig (1.0-2.7 bar)
Delta Pressure 25 -35 psig (1.7-2.4 bar)
Max Temperature 120°F (49°C)
Max pH Range 2-11 operating
2-12 cleaning

Permeate Flow on Fresh Lab Paint Baths

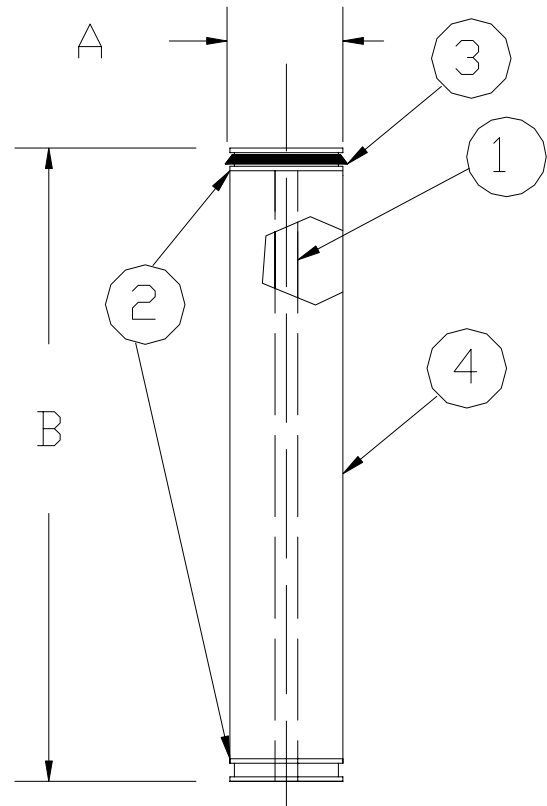
2.8 to 4.5 gpm (10.6 – 17.0 lpm)

Housing

Sch. 40 –8" SS Housings w/ 1.125" ID PWTs

Rev 6/14/05

Engineered for Electrocoat Applications



| Item | Description |
|------|------------------------|
| 1 | Permeate Tube |
| 2 | ATD/Seal Carriers |
| 3 | Brine Seal (P/N BS-80) |
| 4 | Membrane Body |

