



Process Advanced Filtration Division
 2340 Eastman Avenue
 Oxnard, CA 93030
 Phone (805) 604-3400
 Fax (805) 604-3401

EP4040-BSF1-H4 UF Membrane

Description

PVDF Spiral membrane
 FRP outer wrap
 One end seal - ATDs both ends

Dimensions

Diameter (A)	3.88" (98.6 mm)
Overall Body Length (B)	40.0" (1016 mm)
Permeate Tube OD	0.75" (19.1 mm)
Membrane Area	70 ft ² (6.5 m ²)
Weight	8 lb (3.6 kg)

Recommended Operating Parameters

Feed	19 - 25 gpm (72-95 lpm)
Inlet Pressure	40-65 psig (2.7-4.41bar)
Outlet Pressure	15-40 psig (1.0-2.7 bar)
Delta Pressure	25 -35 psig (1.7-2.4 bar)
Max Temperature	120°F (49°C)
Max pH Range	2-11 operating 2-12 cleaning

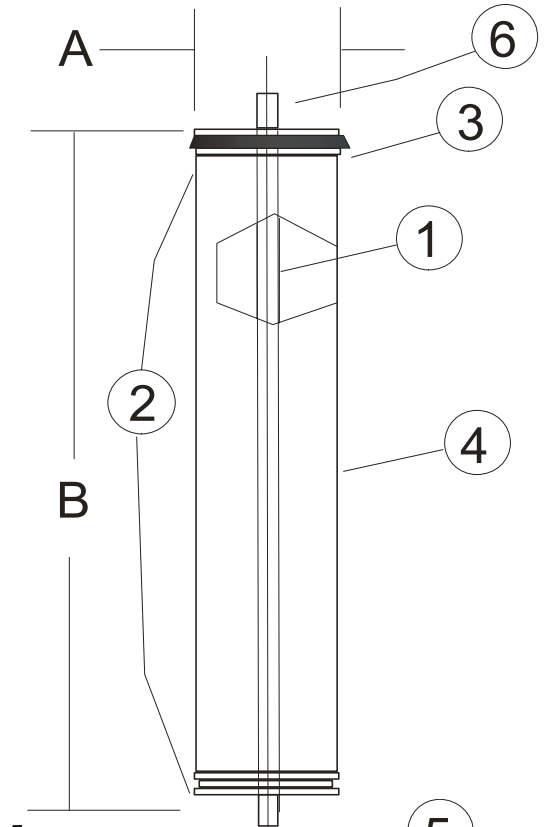
Permeate Flow on Fresh Lab Paint Baths

0.60 to 0.80 gpm (2.3 – 3.0 lpm)

Housing

Housings for Filmtec style membranes

Engineered for Electrocoat Applications



Item	Description
1	Permeate Tube
2	ATD/Seal Carriers
3	Brine Seal (P/N BS-40)
4	Membrane Body
5&6	1" Permeate Tube Extension

Rev 01/30/07

